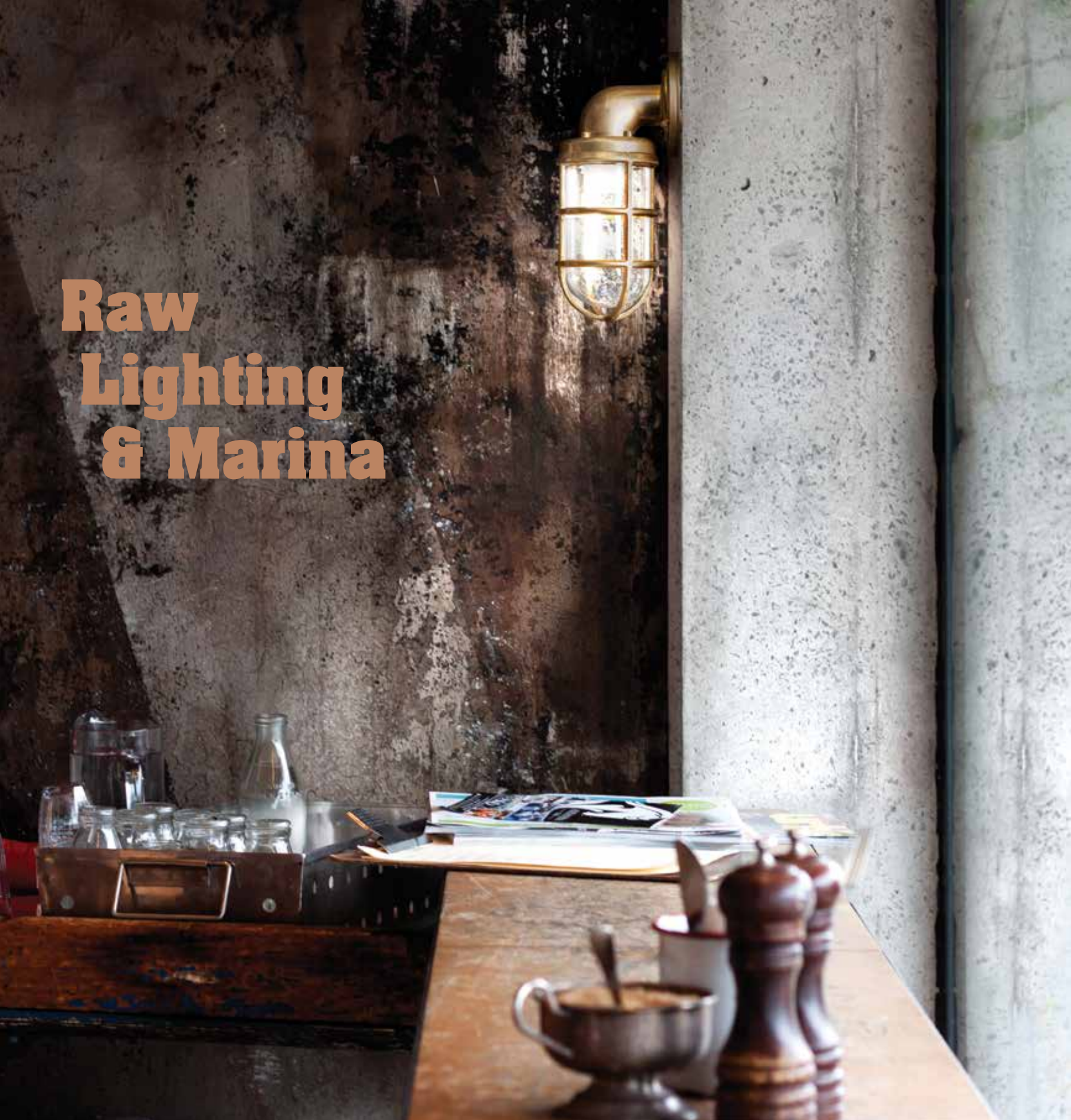


Raw Lighting & Marina





MARINA

The Marina is an iconic selection of solid brass fixtures that will age gracefully in any environment.

The Marina range features a New Zealand made interchangeable LED Light engine.

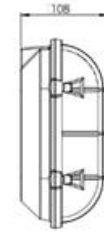
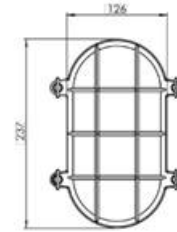
Expect Ambience.
Expect Colour integrity.
Expect Longevity.
Expect Quality.

Waffle

ARTICLE NO	Waffle
Ageless brass bulkhead with New Zealand made light engine.	
WATTAGE	6.3W @ 350mA
COLOUR/CRI	2700K 93CRI
LIGHT OUTPUT	450 Lumens
IP RATING	IP65
MATERIAL	Solid Brass/Cast Glass
WEIGHT	900 grams

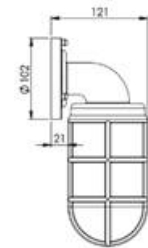
Nautilus

ARTICLE NO	Nautilus
Nautical inspired brass wall light with New Zealand made light engine.	
WATTAGE	6.3W @ 350mA
COLOUR/CRI	2700K 93CRI
LIGHT OUTPUT	450 Lumens
IP RATING	IP65
MATERIAL	Solid Brass/Glass
WEIGHT	900 grams



Waffle

ARTICLE NO	Waffle
Ageless brass bulkhead with New Zealand made light engine.	
WATTAGE	6.3W @ 350mA
COLOUR/CRI	2700K 93CRI
LIGHT OUTPUT	450 Lumens
IP RATING	IP65
MATERIAL	Solid Brass/Cast Glass
WEIGHT	900 grams



Nautilus

ARTICLE NO	Nautilus
Nautical inspired brass wall light with New Zealand made light engine.	
WATTAGE	6.3W @ 350mA
COLOUR/CRI	2700K 93CRI
LIGHT OUTPUT	450 Lumens
IP RATING	IP65
MATERIAL	Solid Brass/Glass
WEIGHT	900 grams



RAW lighting
PURE ALU

The Raw Lighting Pure Aluminium range is the perfect balance. Sleek yet robust cast solid aluminium with handmade glass lens and New Zealand made interchangeable LED Light Engine.

Expect Ambience.
Expect Colour Integrity.
Expect Longevity.
Expect Quality.



Pure Alu. 90 Slim Frost

LUMINAIRE CODE EXAMPLE	RPA-90-SLM FR-BK
Luminaire in cast aluminium with a design from the functionalism movement in architecture. Well suited on both traditional and modern buildings. This version comes with a fixed 90 degrees tilt and a slim opal glass. Available in multiple colours. The opal conical glass is also available for this arm.	
WATTAGE	6.3W @ 350mA
COLOUR/CRI	2700K 93CRI
LIGHT OUTPUT	420 Lumens
IP RATING	IP 65
MATERIAL	Cast Pure Aluminium
GLASS	Slim Frost – Pictured

COLOURS



LENSES



HEIGHT	210 mm
WIDTH	100 mm
FROM WALL	290 mm
WEIGHT	900 grams



Pure Alu. 80 Conical Opal

LUMINAIRE CODE EXAMPLE	RPA-80-CON OP-Red
Luminaire in cast aluminium with a design from the functionalism movement in architecture. Well suited on both traditional and modern buildings. This version comes with a fixed 80 degrees tilt and a conical opal glass. Available in multiple colours. The Frost Slim glass is also available for this arm.	
WATTAGE	6.3W @ 350mA
COLOUR/CRI	2700K 93CRI
LIGHT OUTPUT	420 Lumens
IP RATING	IP 65
MATERIAL	Cast Pure Aluminium
GLASS	Conical Opal – Pictured

COLOURS



LENSES



HEIGHT	180 mm
WIDTH	160 mm
FROM WALL	300 mm
WEIGHT	900 grams



Pure Alu. 90 Slim Frost

LUMINAIRE CODE EXAMPLE	RPA-90-SLM FR-BK
Luminaire in cast aluminium with a design from the functionalism movement in architecture. Well suited on both traditional and modern buildings. This version comes with a fixed 90 degrees tilt and a slim opal glass. Available in multiple colours. The opal conical glass is also available for this arm.	
WATTAGE	6.3W @ 350mA
COLOUR/CRI	2700K 93CRI
LIGHT OUTPUT	420 Lumens
IP RATING	IP 65
MATERIAL	Cast Pure Aluminium
GLASS	Slim Frost – Pictured

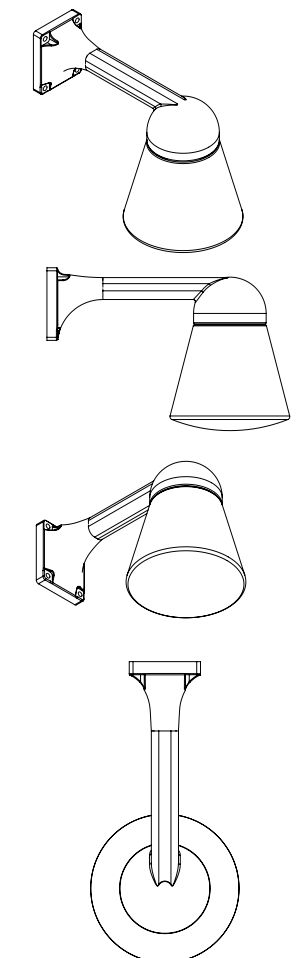
COLOURS



LENSES



HEIGHT	210 mm
WIDTH	100 mm
FROM WALL	290 mm
WEIGHT	900 grams



Design Selector

PREFIX RPA	
ANGLE 90° 80°	
LENSES CONICAL OPAL SLIM FROST	
COLOURS 	
 215 96 321 290	 240 96 38 310



LIGHTING
REVOLUTION

107 Felton Mathew Avenue
Saint Johns, Auckland
T 09 213 4265
F 09 929 3056
sales@lightingrevolution.nz
www.lightingrevolution.nz

